

KROSS X STUDIO

KS 06 CENTRAL FLOATING TOURBILLON

USER MANUAL

TABLE OF CONTENTS

KS 06 CENTRAL FLOATING TOURBILLON

| | |
|-------------------------------|---|
| <u>Overview</u> | 3 |
| <u>Movement winding</u> | 4 |
| <u>Time setting</u> | 5 |
| <u>Interchangeable straps</u> | 6 |

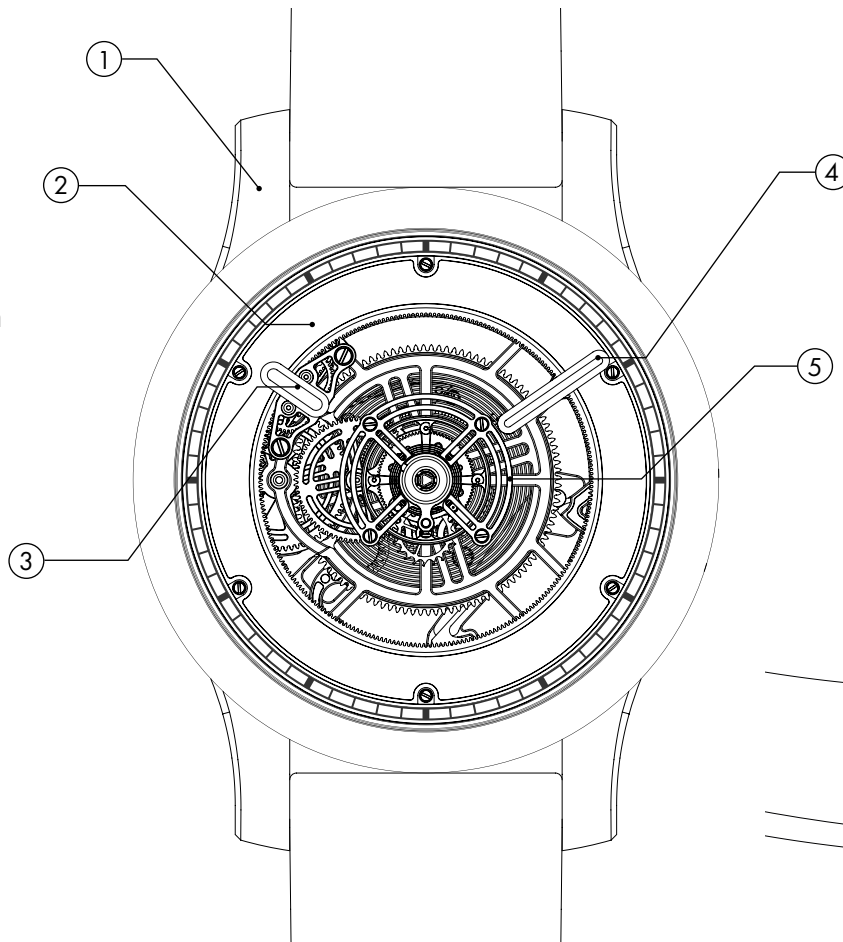
GENERAL

| | |
|---------------------|---|
| <u>Regular care</u> | 7 |
| <u>Tech specs</u> | 8 |
| <u>Warranty</u> | 9 |

KS 06 CENTRAL FLOATING TOURBILLON

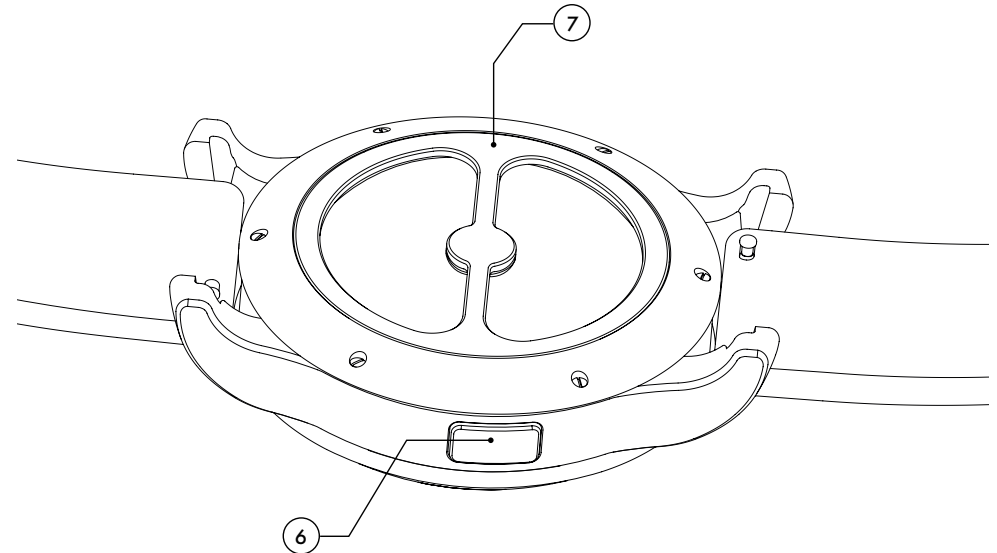
FRONT

- 1 Case
- 2 Dial
- 3 Hour hand
- 4 Minute hand
- 5 Floating tourbillon



BACK

- 6 Push button
- 7 Flat D-ring crown

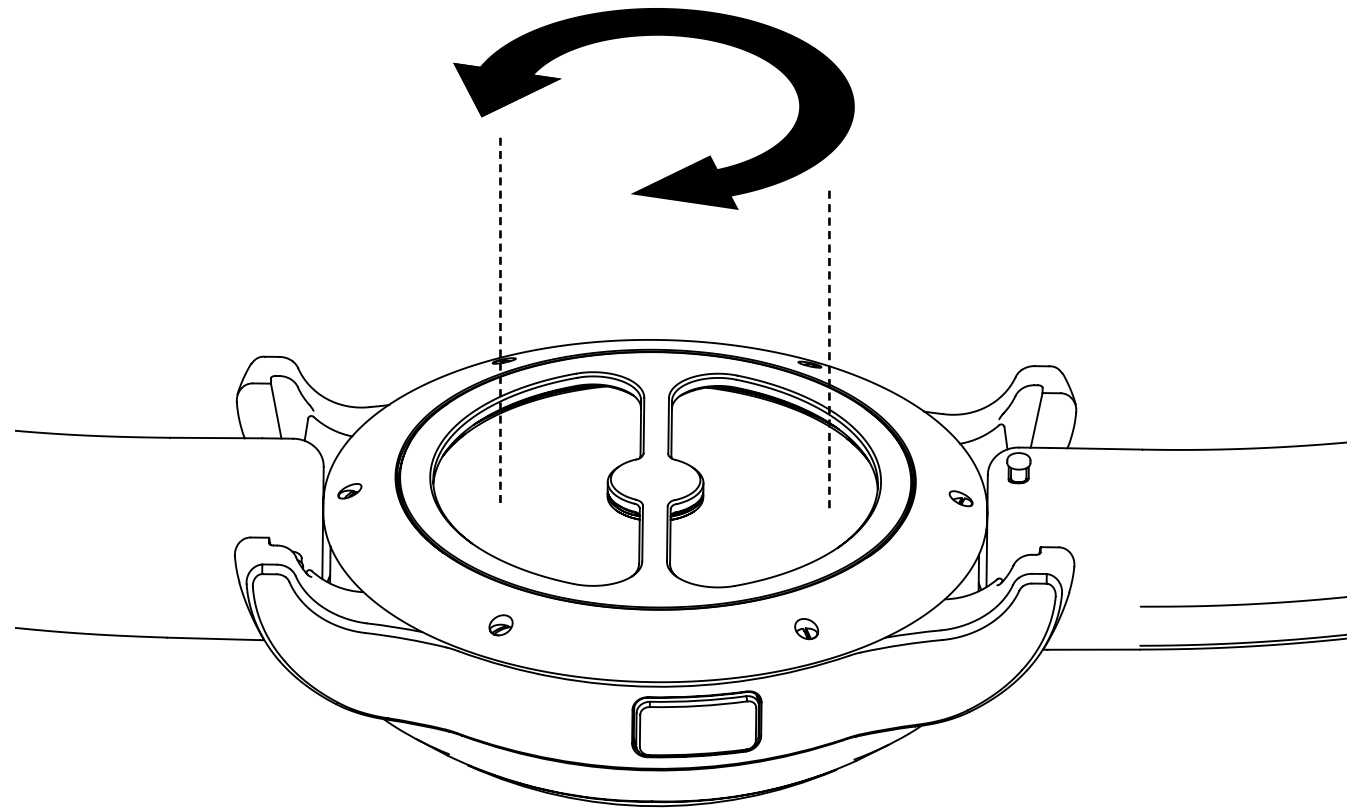


MOVEMENT WINDING

The KS 7'006 manual-winding mechanical movement delivers a 5-day power reserve. After this period, you must wind your watch to provide the necessary energy for it to run.

In order to maintain perfect symmetry, the KS 06 case has no crown at 3 o'clock. It is ingeniously centered on the back of the case. This mechanism enables faster winding than with a traditional crown.

To wind your watch, use a finger to rotate the crown until you feel some resistance, meaning that the watch has been wound. To fully wind your watch, 23 complete turns are needed.



TIME SETTING

The peripheral hour display mechanism is achieved through a planetary gear system mounted on two ball bearings, freeing the tourbillon from any obstruction.

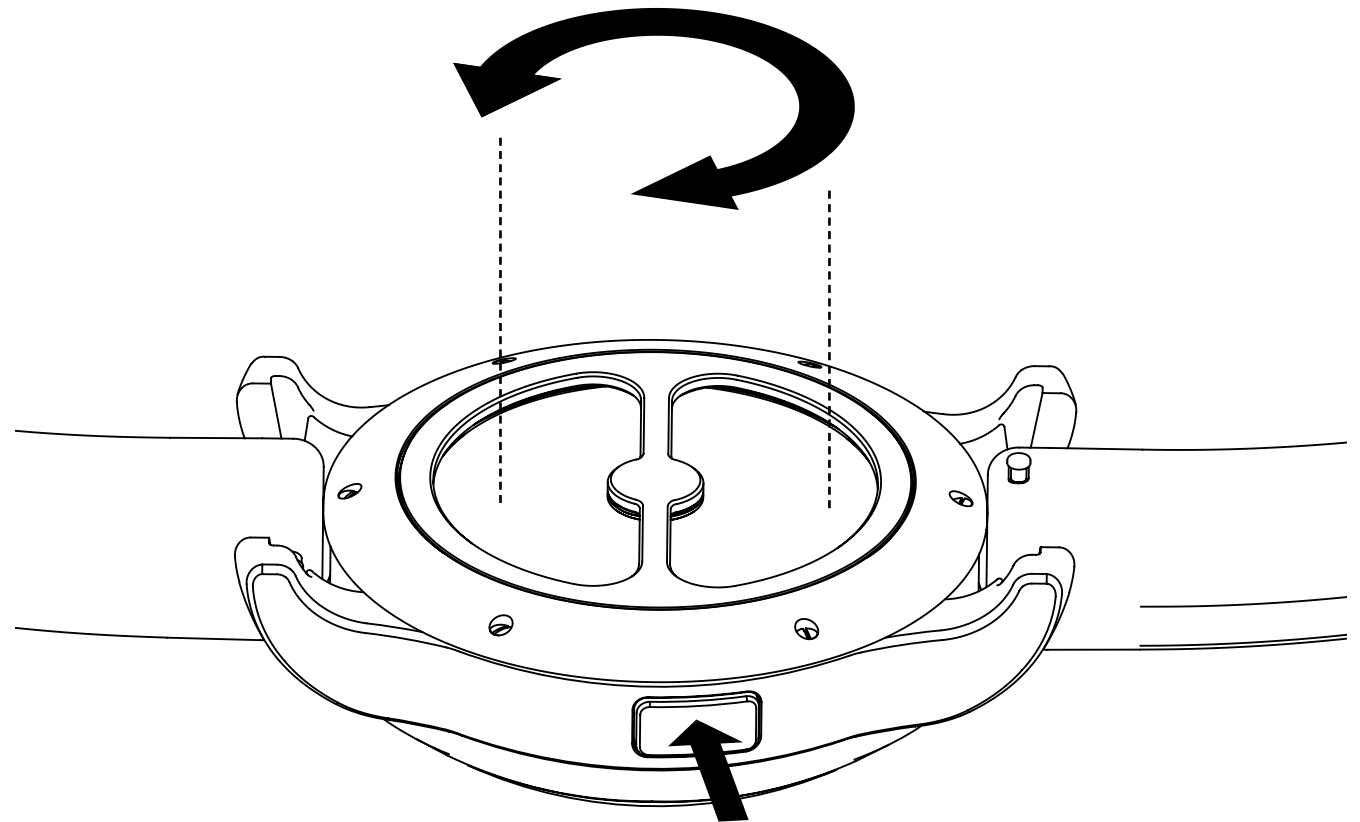
To set the time, press the push button placed at 3 o'clock of the case and synchronously rotate the crown at the back of the watch clockwise until the exact time is set.

Once the time has been set, it is essential to disengage the setting mechanism.

To do so, hold the watch with its back facing you, then turn the ring counterclockwise. A clicking sound will confirm that the mechanism has been properly disengaged.

Note:

You might turn the crown counterclockwise. In this case, go back 10 minutes before the actual time. Then, turn it clockwise until adjusting the exact time. It enables the gear train to go back to its functioning position.

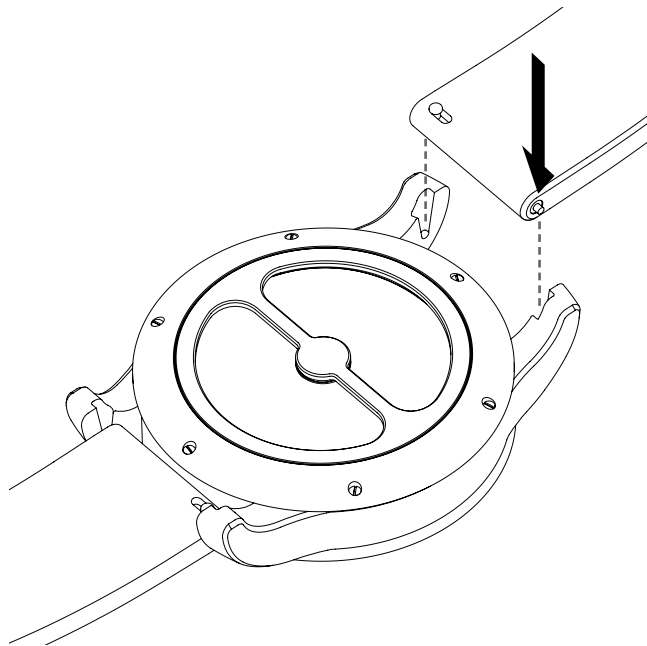


INTERCHANGEABLE STRAPS

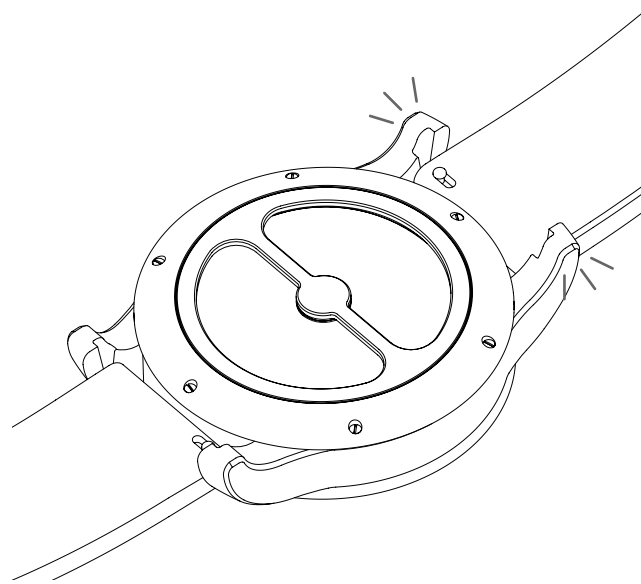
Hidden on the inner side of the lugs, the patent-pending interchangeable strap system is truly one of a kind.

KS 06 watches can be fitted with any standard strap measuring 20mm width.

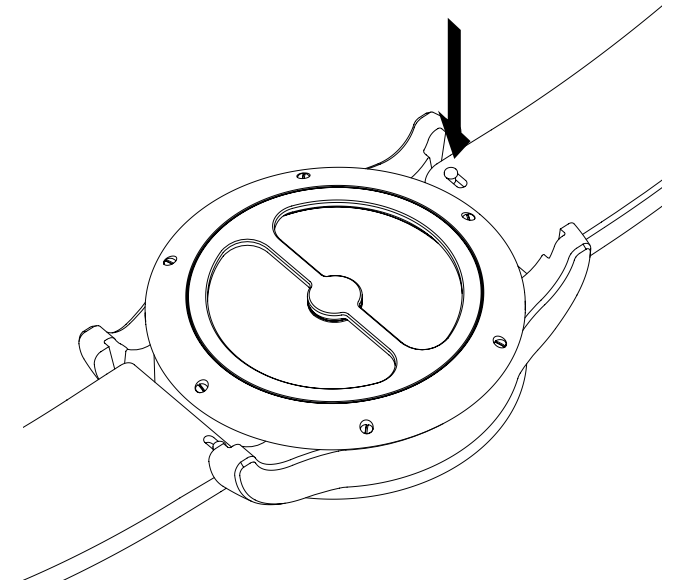
To put on the strap, place it between the lugs, allowing the spring bar to slide along the specific groove until you hear a "click".



That will mean the spring has reached its final position.



In order to remove the strap, pull the spring bar to release it from its groove.



REGULAR CARE

REGULAR CARE OF THE KS 06 CENTRAL FLOATING TOURBILLON

The tourbillon remains one of the main horological complications and bears the mark of the most talented watchmakers. Caution and care are required to ensure the longevity of your watch. To handle it properly, a set of gloves and a soft microfiber cloth are provided in a box along with your KS 06 Central Floating Tourbillon. We strongly recommend wearing gloves every time the watch is manipulated for winding or time setting. It will enable a better gripping and help prevent any risk of scratching.

The watch has a water resistance of 30 meters. We recommend avoiding sea water. Clean regularly your watch by wiping down carefully with the soft microfiber cloth. If needed, you may use a solvent-free cleaner to spray on the cloth. Do not spray any liquid directly on the watch.



TECH SPECS

KS 06 CENTRAL FLOATING TOURBILLON

Movement

Caliber

KS 7'006

Functions

Manual-winding patented floating central tourbillon

Height

15.28mm

Overall Diameter

33mm

Power reserve

5 days

Frequency

21'600bph / 3Hz

Jewels

27

Parts

225

Case

Diameter

42mm

Height

15.28mm

Thickness

19.80mm

Thickness without crystal

13.30mm

Materials

Grade 5 titanium

Crystal

Dome-shaped anti-reflective sapphire crystal

Case Back

Grade 5 titanium

Crown

Flat D-ring crown in grade 5 titanium

Water resistance

30m or 3ATM

Dial & Hands

Dial

The KS 06 watches come in five different dial colors, all featuring a rhodium plated inner bezel with black minute markers.

Hands

Rhodium-plated with white SuperLumiNova®

Straps & Clasp

Interchangeable Strap

Patent pending interchangeable strap system

Clasp

Grade 5 titanium pin buckle clasp

WARRANTY

On the day of purchase, the authenticity certificate must be duly dated and bear the official stamp of Kross Studio or the authorized retailer in order to serve as Warranty Certificate. This Kross Studio product holds an Individual Identification Number (IIN) that will be needed for every communication with Kross Studio. In the event of loss of this IIN, please contact the Kross Studio after-sales team: sales@kross.studio.

Kross Studio undertakes to repair or replace the defective product according to its judgement in line with the warranty terms below. Your watch is guaranteed against all manufacturing defects for a period of two years from the date of purchase, provided that the product was purchased from an authorized retailer or from Kross Studio. Repairs within the framework of the warranty must be carried out by Kross Studio or an authorized service center. Products that are repaired or exchanged may contain new and/or reused components.

WARRANTY EXTENSION

To register your product, visit:
kross-studio.ch/en/register-your-product

Follow the registration process. A warranty extension of 3 years will be delivered, granting a total warranty of 5 years from the date of purchase.

INTERNATIONAL WARRANTY CONDITIONS

End clients who have acquired a Kross Studio product are covered by this warranty in all countries with an approved Kross Studio repair center or approved Kross Studio retailer. The conditions of the warranty are specific to Kross Studio only. In order to benefit from the warranty coverage, end clients must present the original purchase invoice (namely the invoice received at the time the new product was first purchased by the end client).

We recommend a complete overhaul of the watch every 5 years. For any repair or service during the warranty period please contact the Kross Studio after-sales team: sales@kross.studio

The warranty does not cover damage caused by inappropriate use or handling of the watch, please refer to the User Manual for a good manipulation of your watch.

WARRANTY

THE INTERNATIONAL WARRANTY DOES NOT INCLUDE:

- Normal wear and aging of parts;
- Abnormal use or absence of regular maintenance of the watch;
- Moisture infiltration in the case and effects of oxidation;
- Defects results from magnetic fields or climatic conditions;
- Alterations, manipulations, disassembly or repairs undertaken by anyone other than an authorized service center or Kross Studio;
- Watches whose serial number or any other identification mark has been erased or altered;
- Straps;
- Theft or loss.