

# **KROSS X STUDIO**

**KS 05 COLLECTION**

**USER MANUAL**

# TABLE OF CONTENTS

## KS 05 CENTRAL FLOATING TOURBILLON

Overview 3

Movement winding 5

Time setting 6

Interchangeable straps 7

Buckle opening 8

Buckle release 8

## GENERAL

Regular care 9

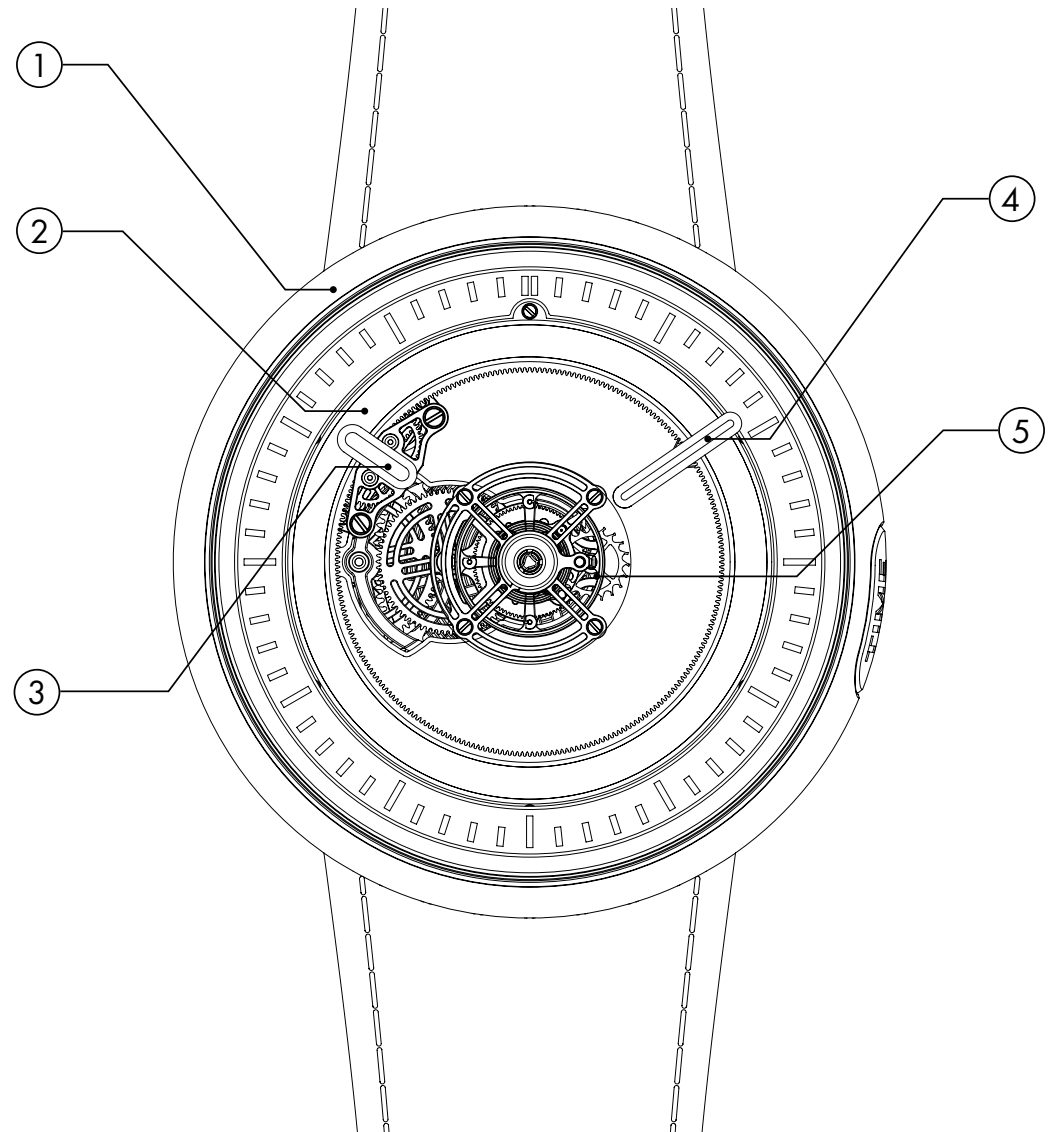
Tech specs 10

Warranty 11

# KS 05 CENTRAL FLOATING TOURBILLON

## FRONT

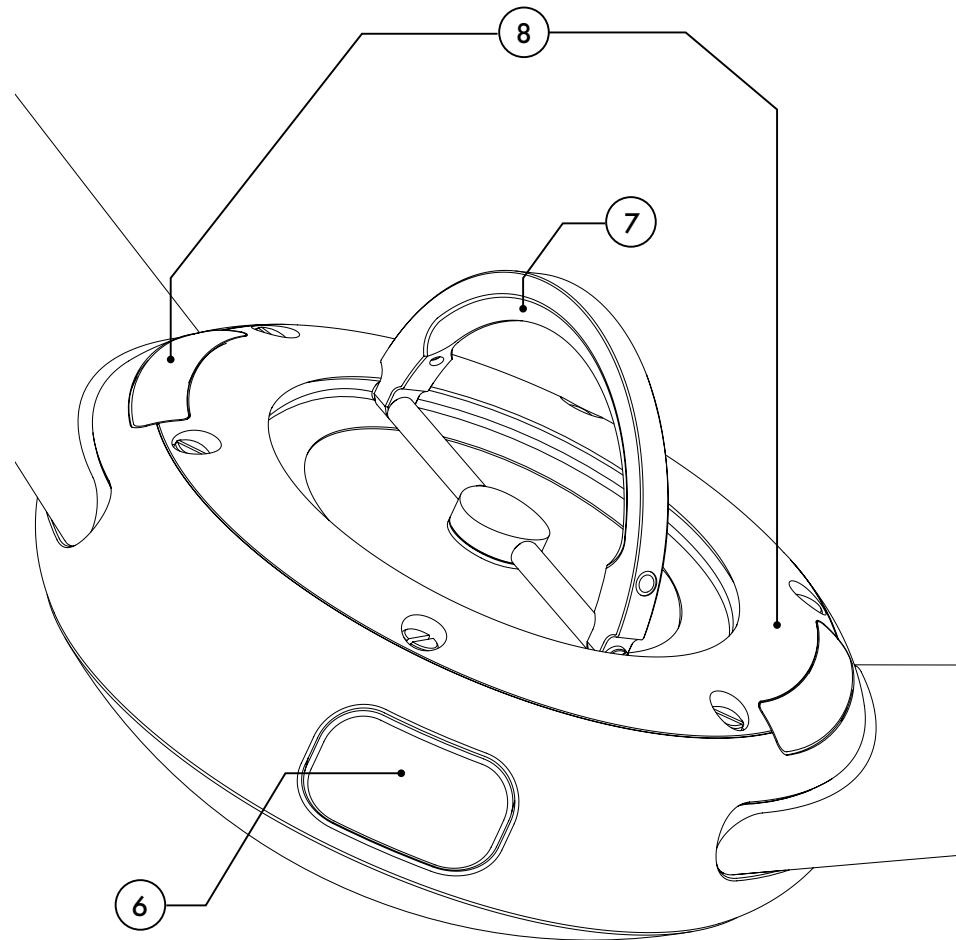
- 1 Case
- 2 Dial
- 3 Hour hand
- 4 Minute hand
- 5 Floating tourbillon cage



# KS 05 CENTRAL FLOATING TOURBILLON

## BACK

- 6 Time set push button
- 7 D-ring crown
- 8 Strap release push buttons  
"Push to release"

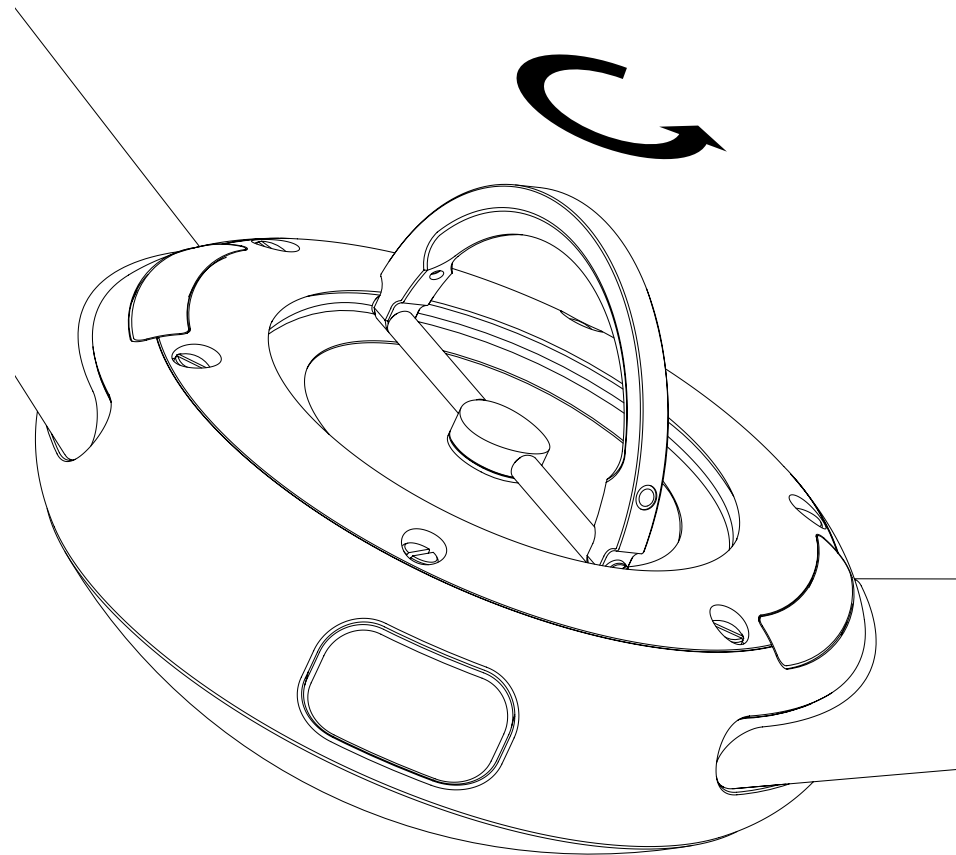


# MOVEMENT WINDING

The manual-winding mechanical movement developed in-house delivers a 5-day power reserve. After this period, you must wind your watch to provide the necessary energy for it to run.

In order to maintain perfect symmetry, the KS 05 Central Floating Tourbillon case has no traditional crown. On the case back, a D-ring crown is stowed out of sight to help maintain the timepiece's sleek, space-age styling. This mechanism enables faster winding than with a traditional crown.

To wind your watch, lift the D-ring crown and turn it counterclockwise until you feel some resistance, meaning that the watch has been wound. To fully wind your watch, 23 complete turns are needed.



# TIME SETTING

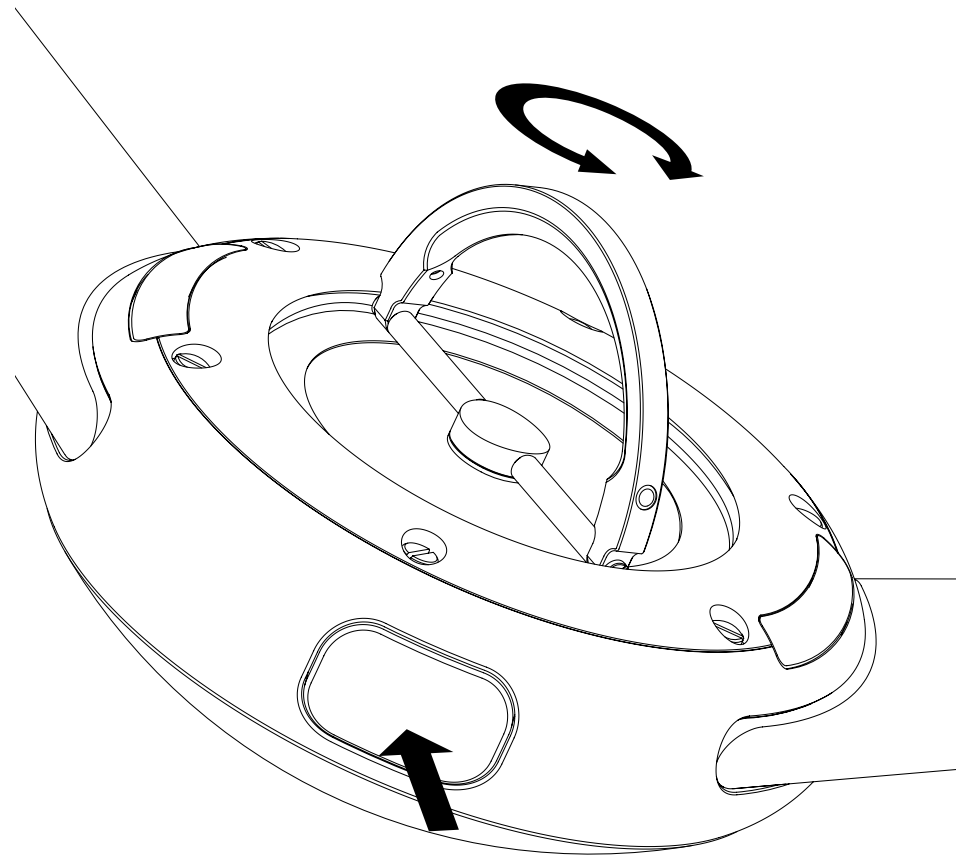
The hours and minutes are displayed in a unique peripheral format, made possible by a planetary gear system that orbits 360° around the tourbillon.

To set the time, press the "Time Set" push button. Lift the D-ring crown - located on the case-back - synchronously and turn clockwise until the exact time is set. When setting the time, there may be some resistance as the watch will be wound simultaneously.

Once the time has been set, it is essential to disengage the setting mechanism. To do so, hold the watch with its back facing you, then turn the ring counterclockwise. A clicking sound will confirm that the mechanism has been properly disengaged.

## Note :

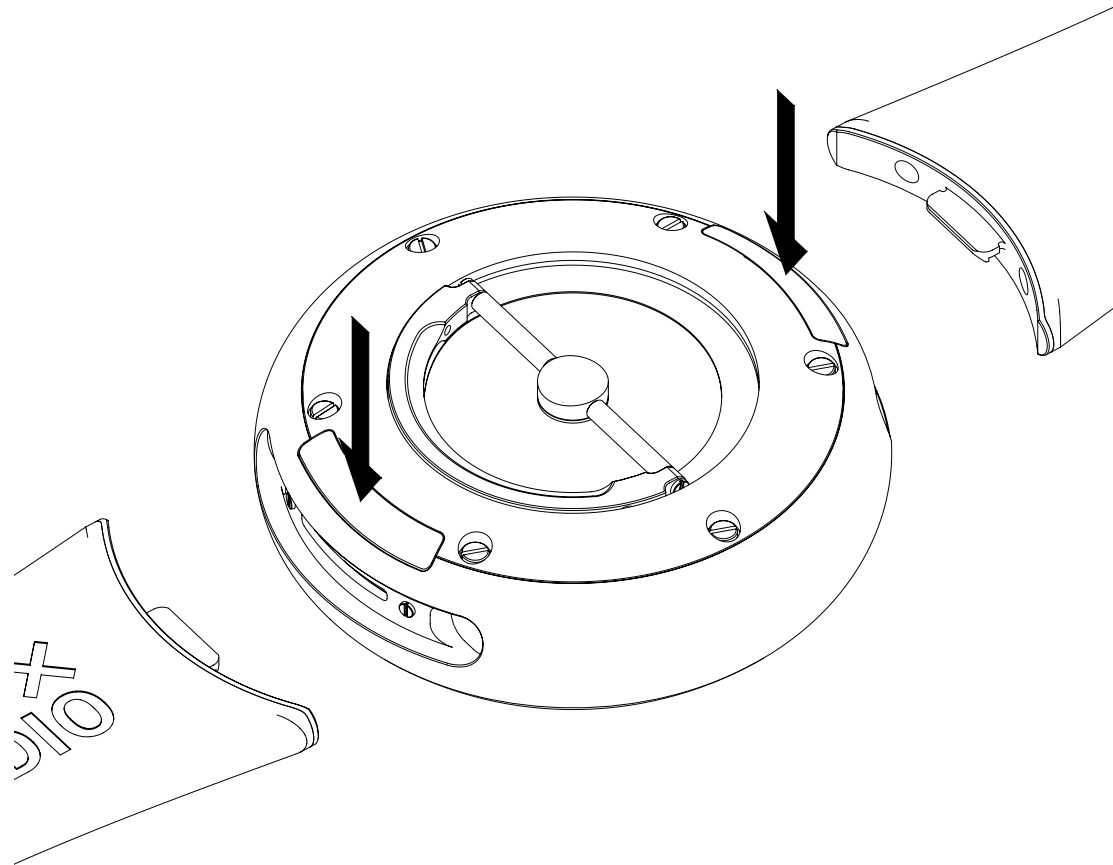
You might turn the D-crown counterclockwise. In this case, go back 10 minutes before the actual time. Then, turn it clockwise until adjusting the exact time. It enables the gear train to go back to its functioning position.



# INTERCHANGEABLE STRAPS

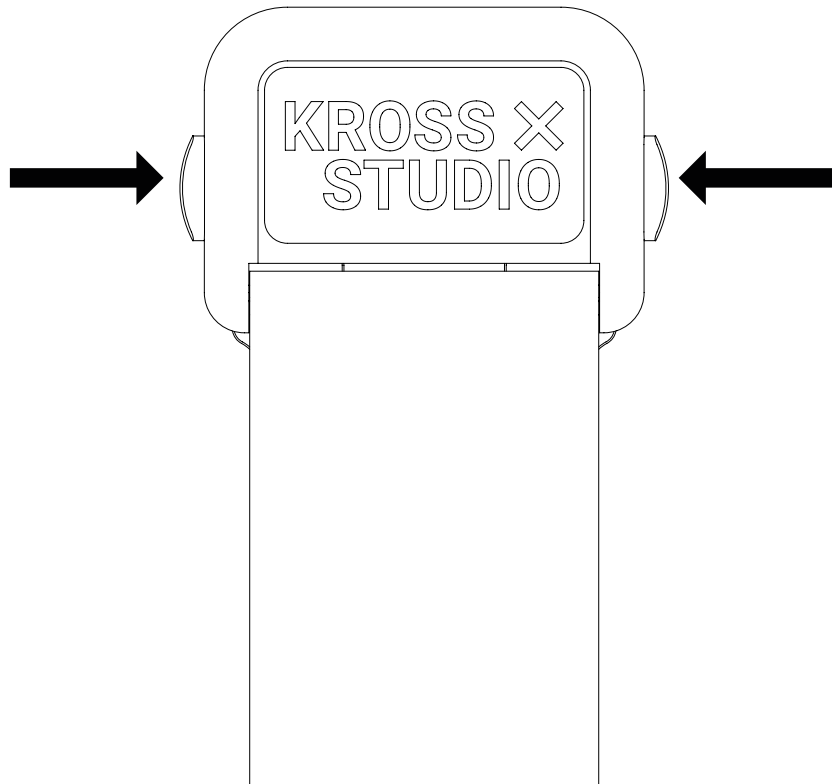
The KS 05 Central Floating Tourbillon is equipped with an interchangeable strap system, a practical feature where two quick-release buttons are hidden on the underside of the case.

Push each button to release the strap.



# BUCKLE OPENING

Press simultaneously the two push buttons located on the sides of the clasp to open the buckle.

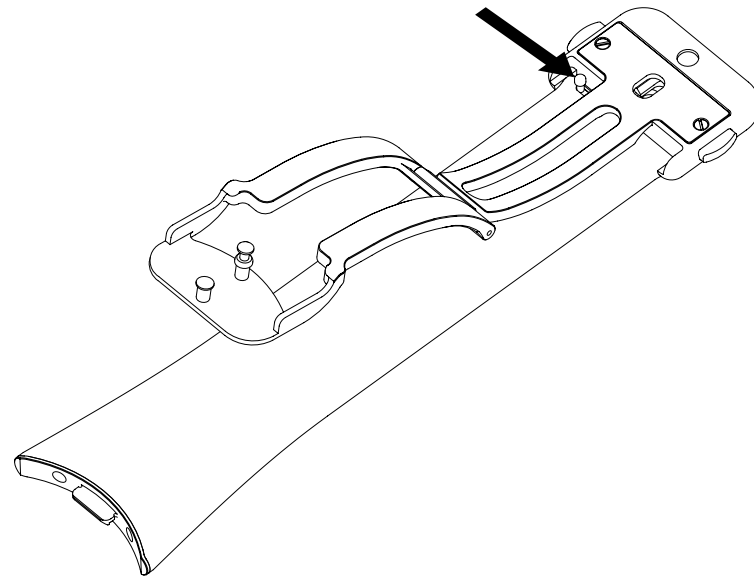


# BUCKLE RELEASE

To detach the buckle, no tools are required. Simply pull the lever located under the clasp and it will release the strap.

To fix the buckle, start by inserting the right side of the buckle on the spring bar. Pull the lever and insert the left side.

Make sure the spring bar is securely in place by pulling few times the strap.

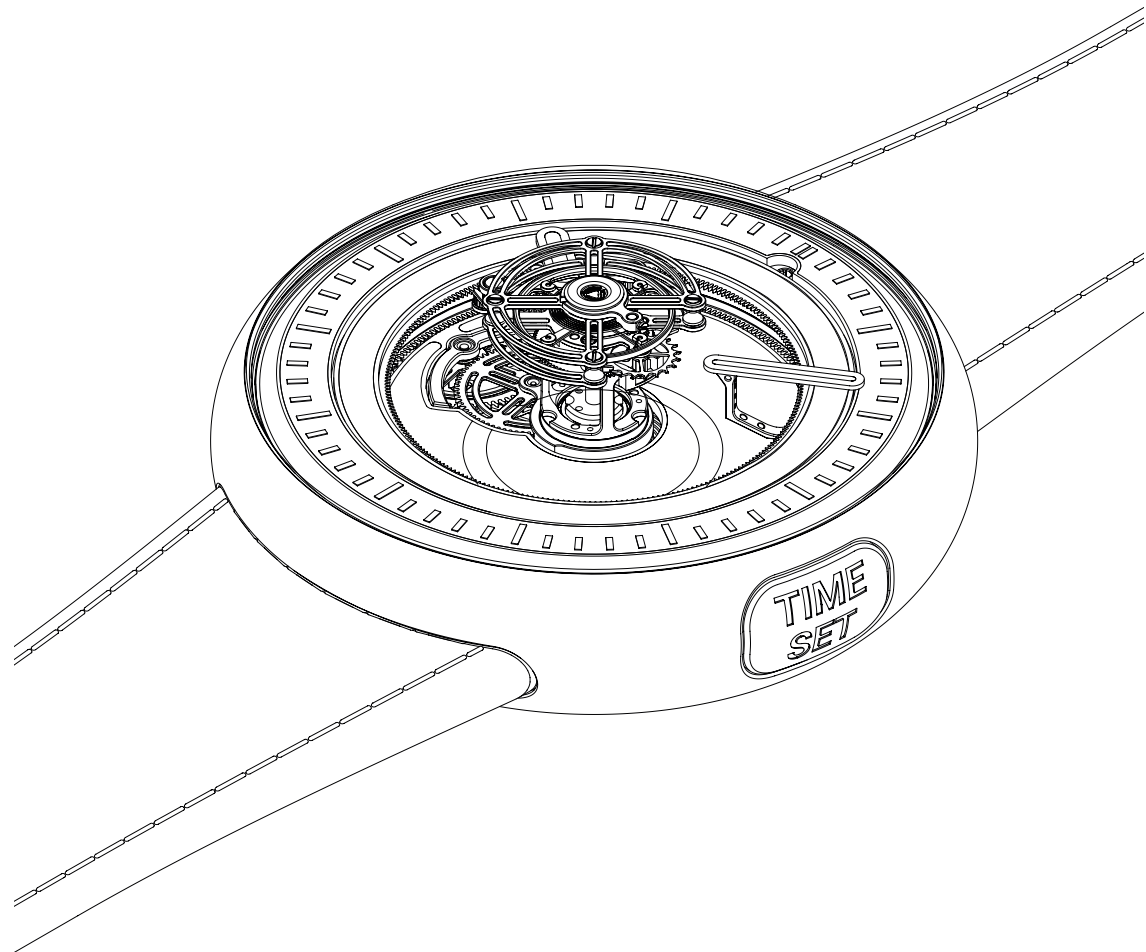


# REGULAR CARE

## REGULAR CARE OF THE KS 05 CENTRAL FLOATING TOURBILLON

The tourbillon remains one of the main horological complications and bears the mark of the most talented watchmakers. Caution and care are required to ensure the longevity of your watch. To handle it properly, a set of gloves and a soft microfiber cloth are provided in a box along with your KS 05 Central Floating Tourbillon. We strongly recommend wearing gloves every time the watch is manipulated for winding or time setting. It will enable a better gripping and help prevent any risk of scratching.

The watch has a water resistance of 30 meters. We recommend avoiding sea water. Clean regularly your watch by wiping down carefully with the soft microfiber cloth. If needed, you may use a solvent-free cleaner to spray on the cloth. Do not spray any liquid directly on the watch.



# TECH SPECS

---

## KS 05 CENTRAL FLOATING TOURBILLON

---

### Parts

298

### Limited edition

Each model is limited to 10 pieces

---

## Movement

---

### Caliber

KS 7'005

### Jewels

27

### Functions

Manual-winding patented floating central tourbillon

### Power reserve

5 days

### Parts

220

### Frequency

21'600bph / 3Hz

---

## Case

---

### Materials

Grade 5 titanium or 18 karat pink gold  
Dome-shaped anti-reflective sapphire crystal

### Diameter

45mm

### Diamond Case

281 pavé-set D-F VVS1 diamonds,  
approximately 5.09 carats

### Thickness

20mm

### Water resistance

30m or 3ATM

### Thickness without crystal

12.5mm

---

## Case back

---

### Material

Engraved grade 5 titanium or 18 karat pink gold

---

## Interchangeable straps

---

Each timepiece comes with two customized set of straps.

The deployant buckle clasp is in grade 5 titanium or 18 karat pink gold.

---

# WARRANTY

On the day of purchase, the authenticity certificate must be duly dated and bear the official stamp of Kross Studio or the authorized retailer in order to serve as Warranty Certificate. This Kross Studio product holds an Individual Identification Number (IIN) that will be needed for every communication with Kross Studio. In the event of loss of this IIN, please contact the Kross Studio after-sales team: [sales@kross.studio](mailto:sales@kross.studio).

Kross Studio undertakes to repair or replace the defective product according to its judgement in line with the warranty terms below. Your watch is guaranteed against all manufacturing defects for a period of two years from the date of purchase, provided that the product was purchased from an authorized retailer or from Kross Studio. Repairs within the framework of the warranty must be carried out by Kross Studio or an authorized service center. Products that are repaired or exchanged may contain new and/or reused components.

## WARRANTY EXTENSION

To register your product, visit:  
[kross-studio.ch/en/register-your-product](https://kross-studio.ch/en/register-your-product)

Follow the registration process. A warranty extension of 3 years will be delivered, granting a total warranty of 5 years from the date of purchase.

## INTERNATIONAL WARRANTY CONDITIONS

End clients who have acquired a Kross Studio product are covered by this warranty in all countries with an approved Kross Studio repair center or approved Kross Studio retailer. The conditions of the warranty are specific to Kross Studio only. In order to benefit from the warranty coverage, end clients must present the original purchase invoice (namely the invoice received at the time the new product was first purchased by the end client).

We recommend a complete overhaul of the watch every 5 years. For any repair or service during the warranty period please contact the Kross Studio after-sales team: [sales@kross.studio](mailto:sales@kross.studio)

The warranty does not cover damage caused by inappropriate use or handling of the watch, please refer to the User Manual for a good manipulation of your watch.

# WARRANTY

## THE INTERNATIONAL WARRANTY DOES NOT INCLUDE:

- Normal wear and aging of parts;
- Abnormal use or absence of regular maintenance of the watch;
- Moisture infiltration in the case and effects of oxidation;
- Defects results from magnetic fields or climatic conditions;
- Alterations, manipulations, disassembly or repairs undertaken by anyone other than an authorized service center or Kross Studio;
- Watches whose serial number or any other identification mark has been erased or altered;
- Straps;
- Theft or loss.